

Air Relief Valve



Features of the Air Relief Valve:

Alloy: T304

1.5" & 2" Sizes in Stock

Valve seals for Vacuum and Pressure

Max. Operating Temperature: 210° F

Ball: Polypropylene (standard)—PTFE is available

No Special Tools

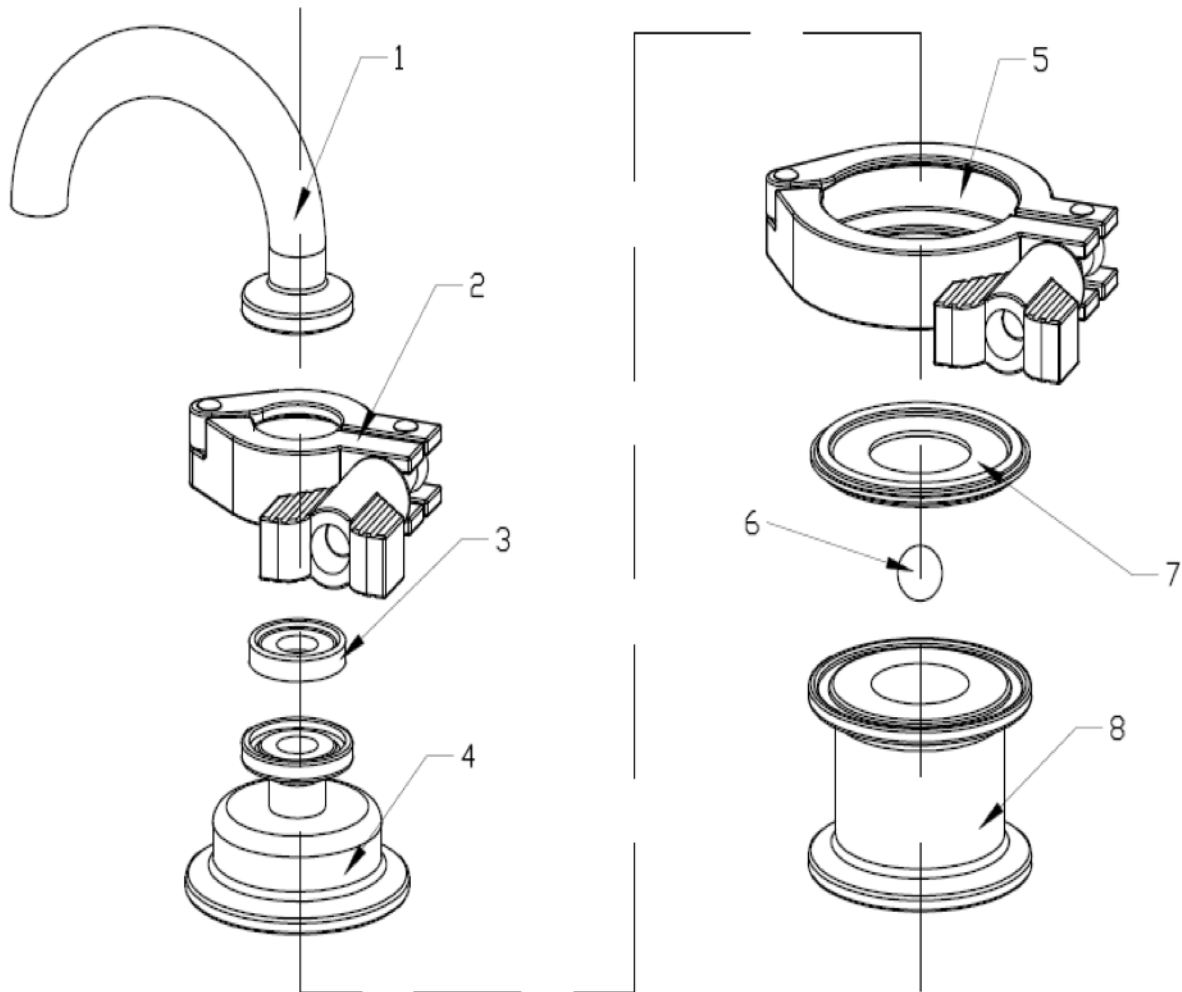
Repair Kits: Ball & Gasket in Stock

www.sanitarysolutions.com

Sanitary Solutions Inc. 1-888-909-3569 or 1-855-640-7871

Prices are subject to change without notice; please call before you quote

Air Relief Valve Material Parts



NO.	Description	Material	Quantity
1	180° TUBE FERRULE	304 stainless	1
2	1/2" CLAMP	CF8 stainless	1
3	1/2" GASKET	EPDM	1
4	3A cover	304 stainless	1
5	1-1/2" CLAMP	CF8 stainless	1
6	BALL	PP or PTFE	1
7	1" GASKET	EPDM	1
8	BODY	CF8 stainless	1

Air Relief Valve Part Number Example:

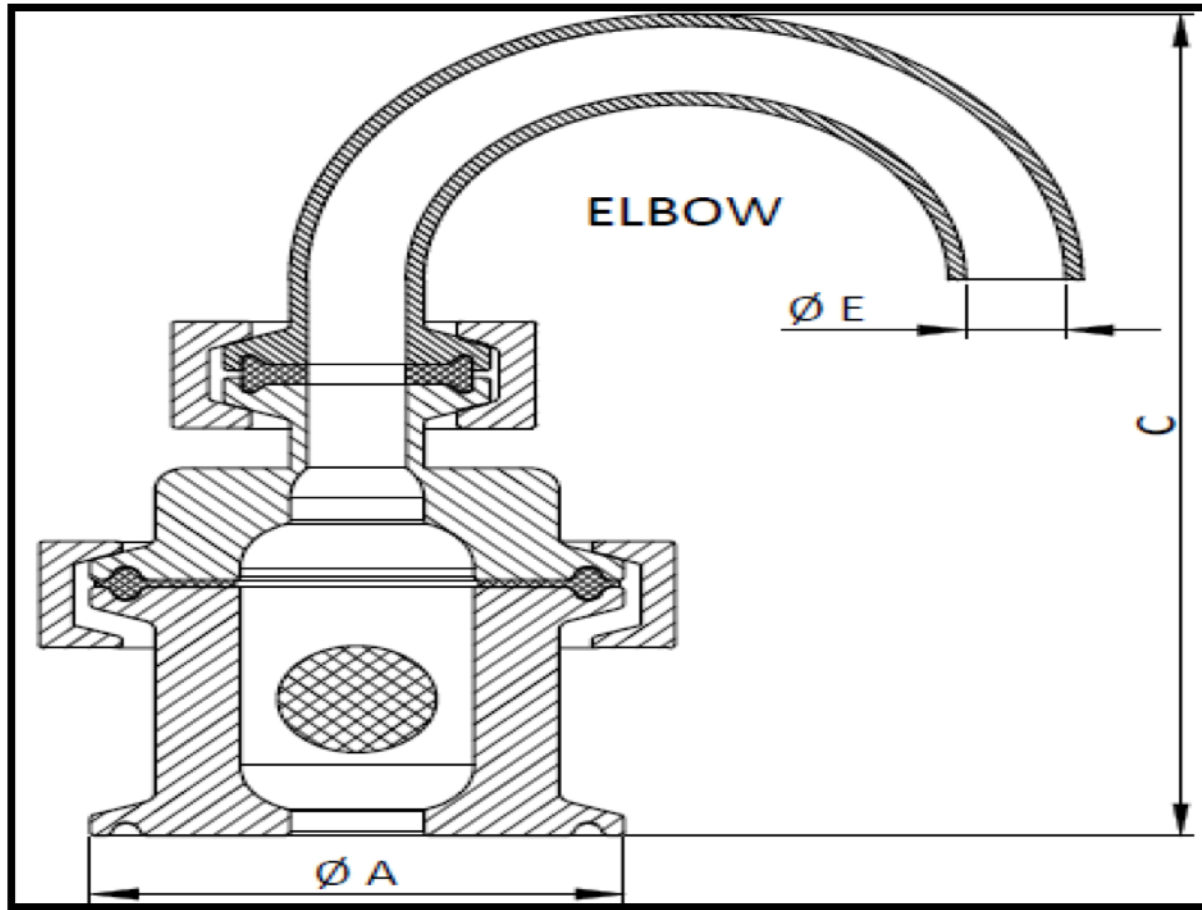
SSARV-SIZE-304

www.sanitarysolutions.com

Sanitary Solutions Inc. 1-888-909-3569 or 1-855-640-7871

Prices are subject to change without notice; please call before you quote

Air Relief Valve Dimensions



<u>Size</u>	<u>A</u>	<u>C</u>	<u>E</u>	<u>Weight</u>
1.5"	2.516	4.488	0.370	2.10
2"	3.047	4.488	0.370	1.90

No Expediting Charges/ Same Day Shipping

www.sanitarysolutions.com

Sanitary Solutions Inc. 1-888-909-3569 or 1-855-640-7871

Prices are subject to change without notice; please call before you quote