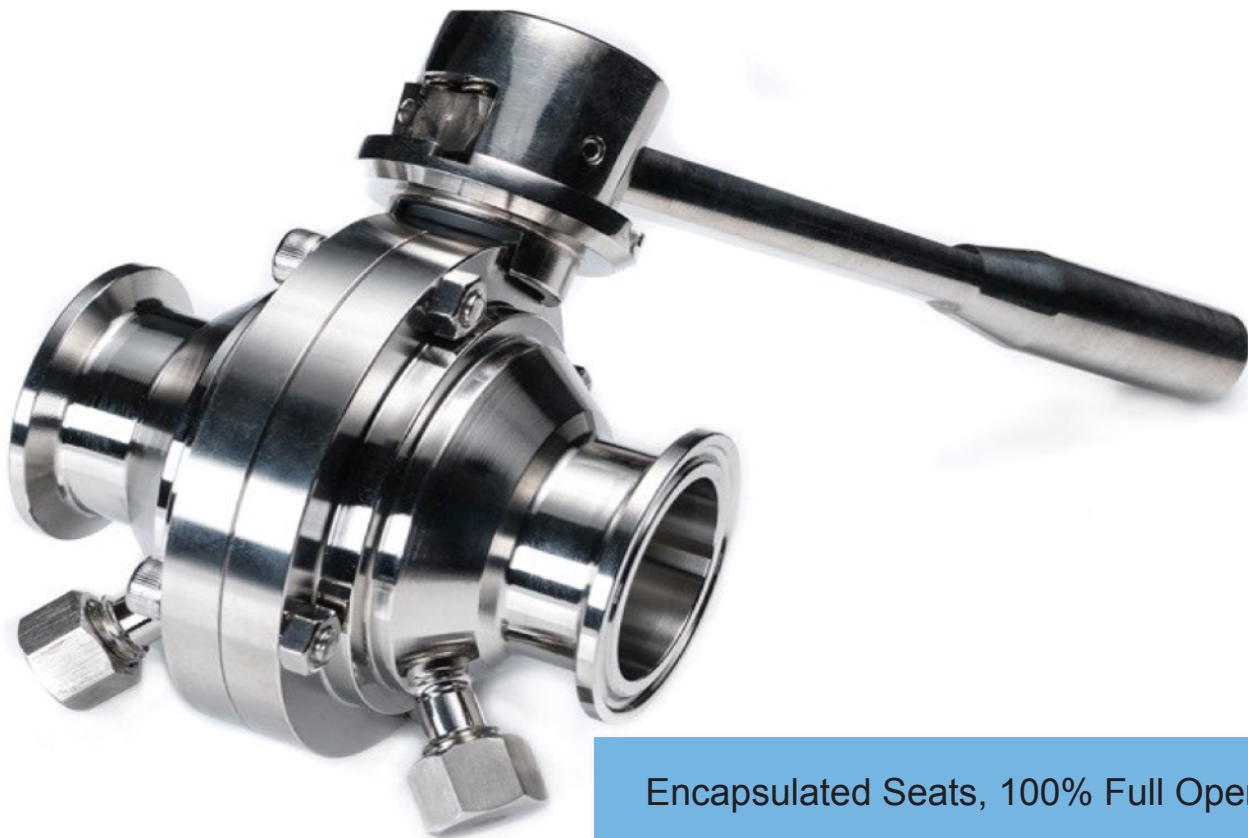


## Dual Purge Port Ball Valve



Encapsulated Seats, 100% Full Opening,  
Ideal for Brewery or Wineries

**Sanitary Solutions is your source for a full port, cavity filled, T304 clamp connection dual purge port ball valve. Our dual purge port ball valve is constructed with a full port positioned inside the valve body between two polished flanges and two Teflon® valve seats. Do you see the two purge ports located at the bottom of the valve for full drain ability, taking samples, and CIP/SIP applications?**

**Our dual purge port ball valve features a 100% full opening and is designed for a maximum pressure of 200 PSI and temperature from 60°F to 300°F while maintaining a full flow rate with a minimum pressure drop.**

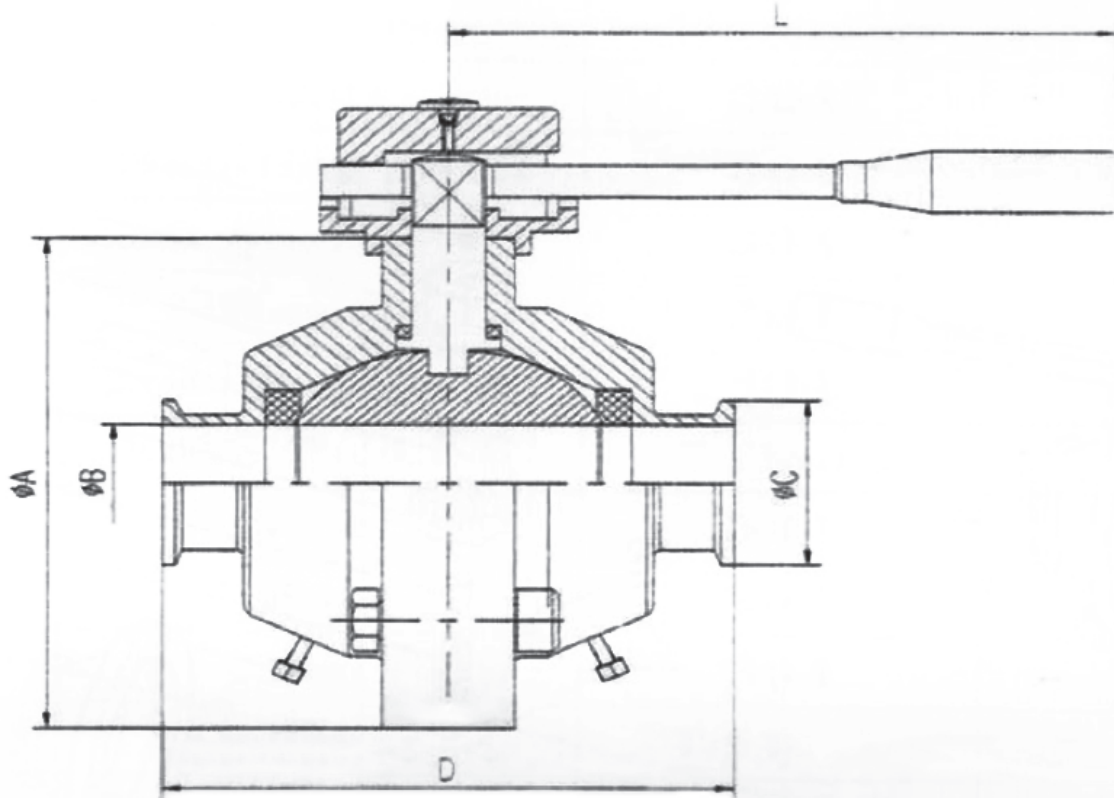
**Note: In a tight situation or if your valve is close to a wall and will not open or close? Solutions: Remove the handle and re-position to open or close the valve.**

[www.sanitarysolutions.com](http://www.sanitarysolutions.com)

Sanitary Solutions Inc. 1-888-909-3569 or 1-855-640-7871

Prices are subject to change without notice; please call before you quote

## Dual Purge Port Ball Valve Dimensions



Tube O.D Size	<u>D</u>	<u>A</u>	<u>B</u>	<u>C</u>	<u>L</u>	<u>Weight</u>
1.5"	3.937"	4.528"	1.370"	1.988"	6.299"	4.20
2.0"	4.331"	5.157"	1.870"	2.520"	7.480"	6.00
2.5"	5.118"	6.299"	2.370"	3.051"	8.268"	CALL
3.0"	5.512"	7.323"	2.870"	3.583"	9.843"	13.20
4.0"	6.692"	8.661"	3.835"	4.685"	12.60"	24.00

**Note: Dual Purge Port Part Number Example When Ordering:**

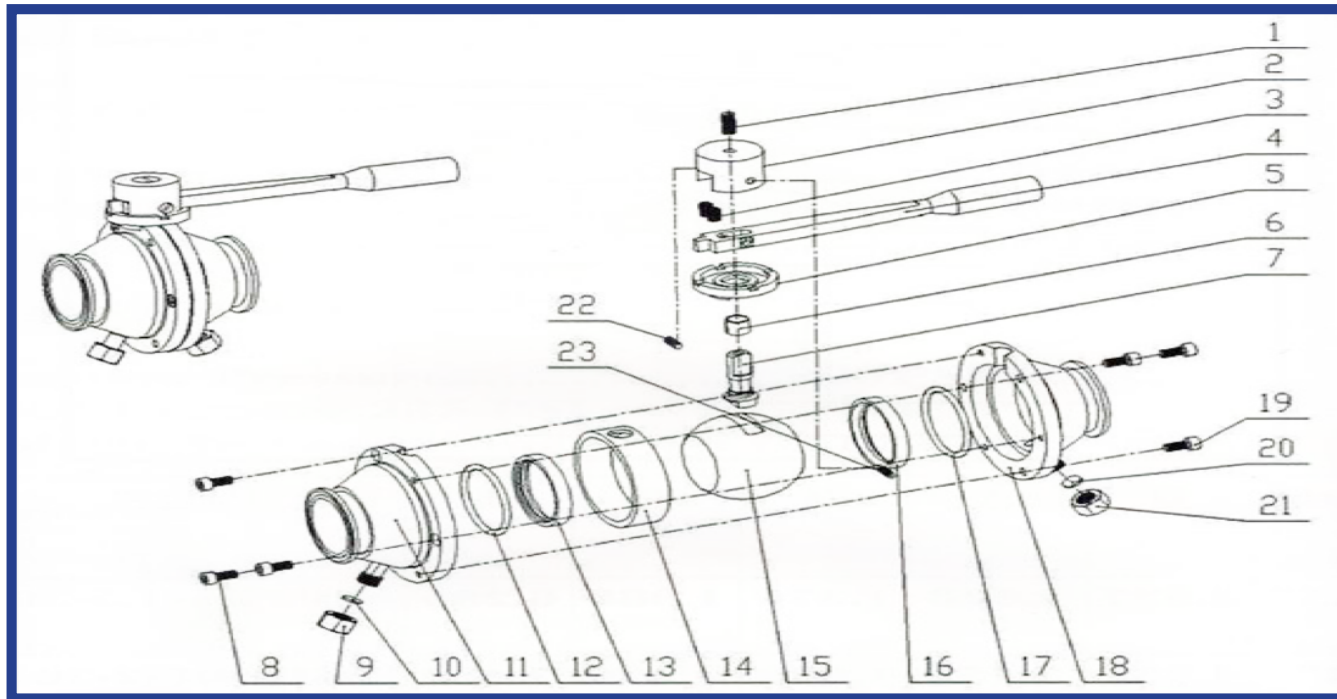
**SPPBV-SIZE-304**

[www.sanitarysolutions.com](http://www.sanitarysolutions.com)

Sanitary Solutions Inc. 1-888-909-3569 or 1-855-640-7871

Prices are subject to change without notice; please call before you quote

## Dual Purge Port Ball Valve Material Breakdown



Item	Description	Material	Quantity
S	Bolt	T304	1
2	Rotating Shaft	T304	1
3	Spring	T304	2
4	Handle	T304	1
5	Locating Sleeve	T304	1
6	Stem Packing	PTFE	1
7	Stem	T304	1
8	Bolt	T304	3
9	Nut	T304	1
10	Washer	PTFE	1
11	Valve Body	T304	1
12	O-Ring Seal	Buna	1
13	Seat	PTFE	1
14	Gasket	T304	1
15	Ball Seat	T304	1
16	Seat	PTFE	1
17	O-ring Seal	Buna	1
18	Valve Body	T304	1
19	Bolt	T304	3
20	Washer	PTFE	1
21	Nut	T304	1
22	Hex Deck Bolt	T304	1
23	Hex Deck Bolt	T304	1

[www.sanitarysolutions.com](http://www.sanitarysolutions.com)

Sanitary Solutions Inc. 1-888-909-3569 or 1-855-640-7871

Prices are subject to change without notice; please call before you quote