

T304 Sample Valves



Features of the T304 Sample Valves:

Alloy: T304

Polish: 32Ra Sanitary Finish on OD

Sizes: 1.5" clamp and 3/8" NPT

Temperature rating: 295°@ 195 PSI

Double Silicone O-Rings

1.5" Clamp Size x 0.375" or 0.50" Barb in

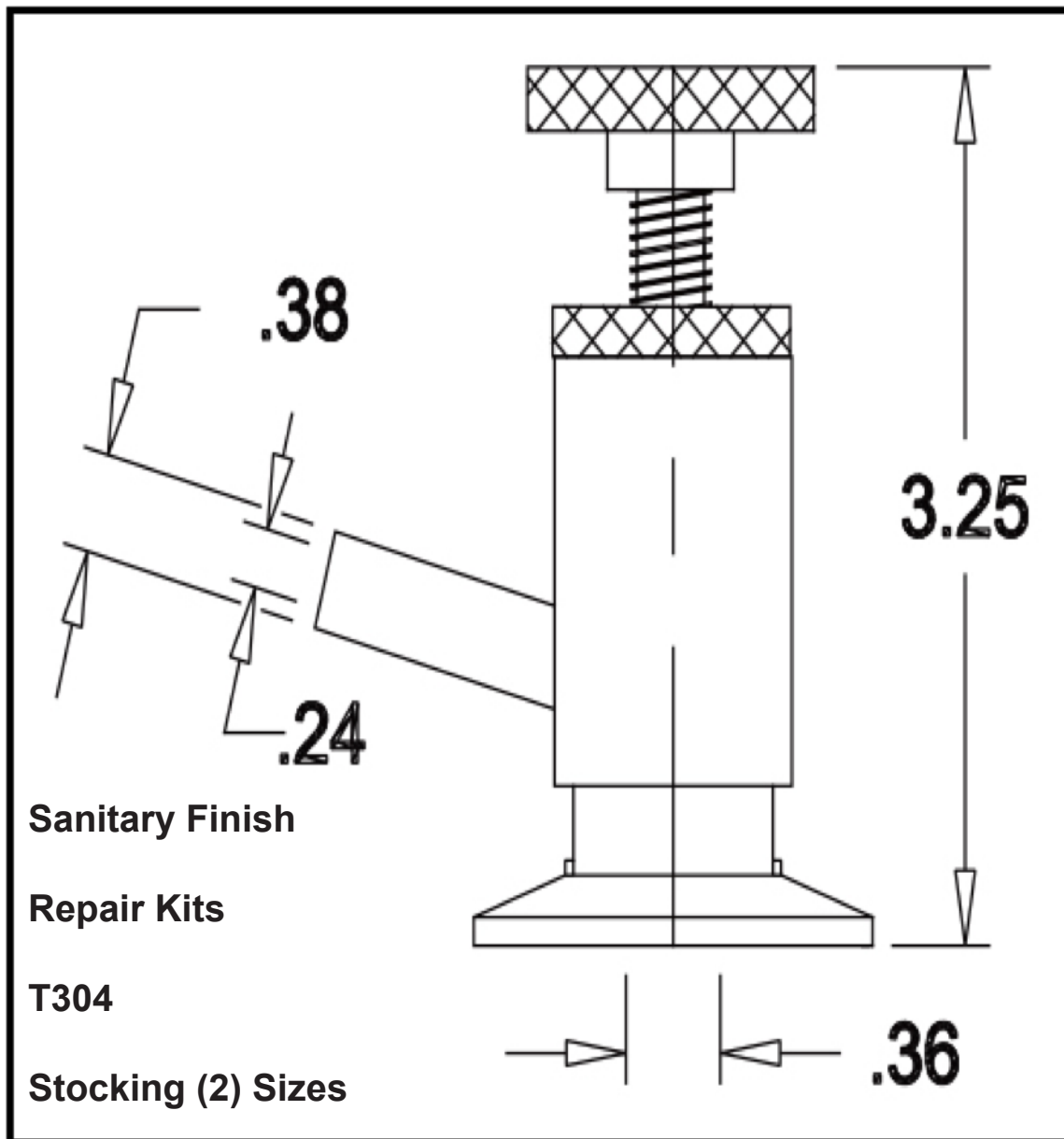
Stock **Repair Kits in Stock**

www.sanitarysolutions.com

Sanitary Solutions Inc. 1-888-909-3569 or 1-855-640-7871

Prices are subject to change without notice; please call before you quote

T304 Sample Valve Dimensions



Note: The above valves are commonly found in the beverage/winery industries.

Sample Valve Part Number Example:

SSSV-SIZE-304

www.sanitarsolutions.com

Sanitary Solutions Inc. 1-888-909-3569 or 1-855-640-7871

Prices are subject to change without notice; please call before you quote