

3-A Stationary Spray Ball

40 gpm @ 25 psi

T316L



Polished to Sanitary Finish

Features:

Wraparound Collar (in stock)

Alloy: T316L

40 gpm @ 25 psi.

Polish to a 32 Ra

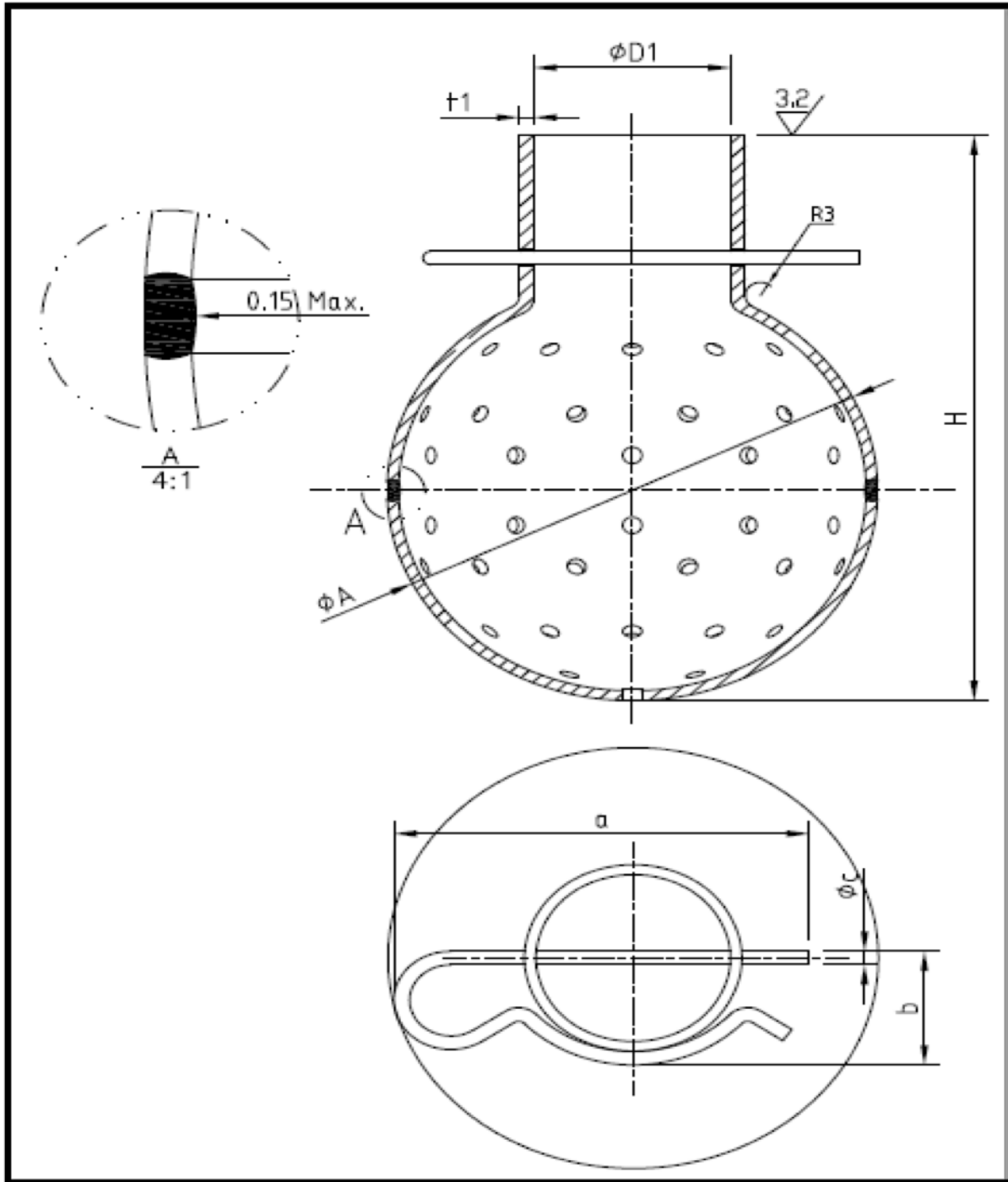
**E-Mail Confirmation with Tracking Number to you
“Live” People Answering your call**

www.sanitarysolutions.com

Sanitary Solutions Inc. 1-888-909-3569 or 1-855-640-7871

Prices are subject to change without notice; please call before you quote

Stationary Spray Ball Dimensions



Size	A	B	C	D1	H	i1
1.5"	2.500	2.000	0.195	1.512	4.300	0.065

www.sanitarysolutions.com

Sanitary Solutions Inc. 1-888-909-3569 or 1-855-640-7871

Prices are subject to change without notice; please call before you quote

T316L Rotating Spray Ball



Features of the T316L Rotating Spray Ball:

360° Spray Pattern

3/4" NPT, 1.5" NPT, 1.5" Clamp Connections

Used to clean tanks or vessels

Ball Bearings are made from Stainless Steel

OD Mirror Finish

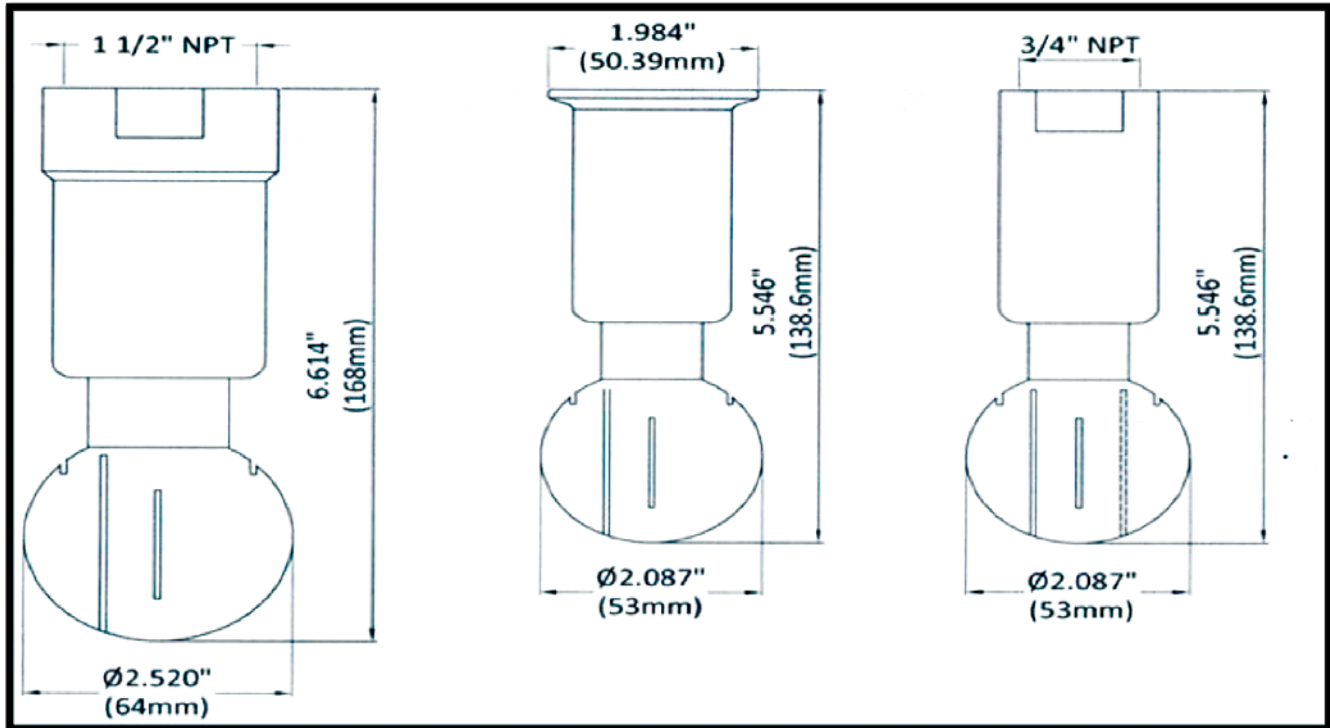
1-888-909-3569 or 1-855-640-7871

www.sanitarysolutions.com

Sanitary Solutions Inc. 1-888-909-3569 or 1-855-640-7871

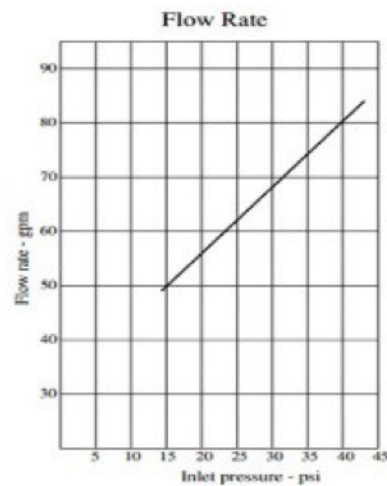
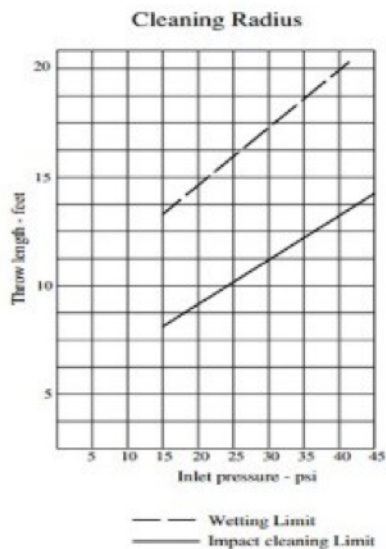
Prices are subject to change without notice; please call before you quote

T316L Rotating Spray Ball Dimensions:



<u>Tube OD Size</u>	<u>Connection</u>	<u>A</u>	<u>B</u>
3/4"	NPT	3/4" NPT	5.460"
1.5"	NPT	1.5" NPT	5.460"
1.5"	Clamp	1.980"	5.460"

Technical Data



www.sanitarysolutions.com

Sanitary Solutions Inc. 1-888-909-3569 or 1-855-640-7871

Prices are subject to change without notice; please call before you quote

T316L Stationary Spray Ball



Features of the T316L Stationary Spray Ball:

Multiple spray patterns for your needs

Found in the beverage, brewery, and food industries

Fixed and ready to be placed to a pipe or tube

Spray Pattern: 180°Bottom, 180°Top, 360°

T316L/Polished to a Sanitary Finish

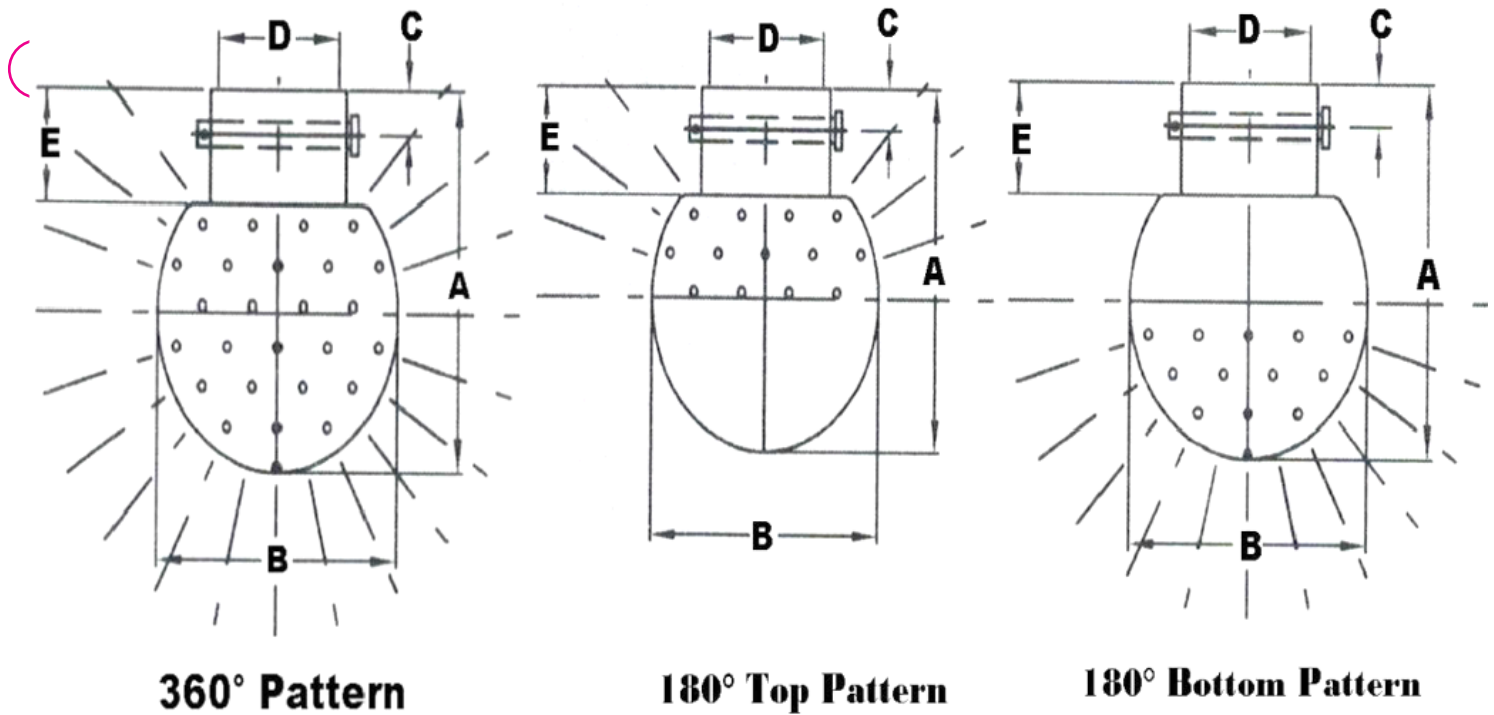
**E-Mail Confirmation with Tracking Number to you “Live”
People Answering your call**

www.sanitarsolutions.com

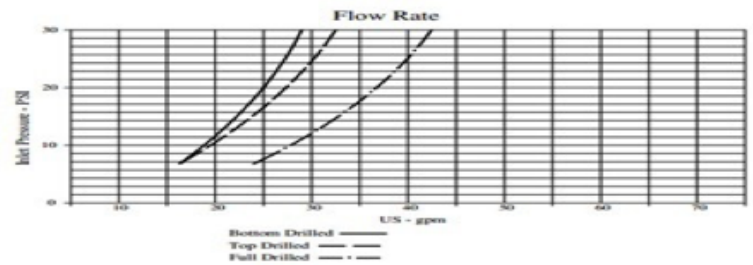
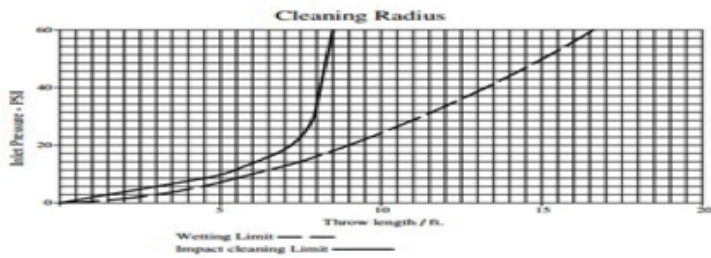
Sanitary Solutions Inc. 1-888-909-3569 or 1-855-640-7871

Prices are subject to change without notice; please call before you quote

T316L Stationary Spray Ball



Technical Data



Size	Spray Pattern	A	B	C	D	E	Pin Size	Pin Length
1"	180°Bottom	3.00	2.50	0.38	1.005	0.90	0.23	1.47
1.5"	180°Bottom	3.50	2.95	0.43	1.505	1.00	0.23	1.95
1"	360°Pattern	3.04	2.50	.445	1.005	0.90	0.23	1.47
1.5"	360°Pattern	3.55	2.95	0.43	1.505	1.00	0.23	1.95
1"	180°Top	3.00	2.50	0.38	1.005	0.90	0.23	1.47
1.5"	180°Top	3.50	2.95	0.43	1.505	1.00	0.23	1.95

www.sanitarysolutions.com

Sanitary Solutions Inc. 1-888-909-3569 or 1-855-640-7871

Prices are subject to change without notice; please call before you quote