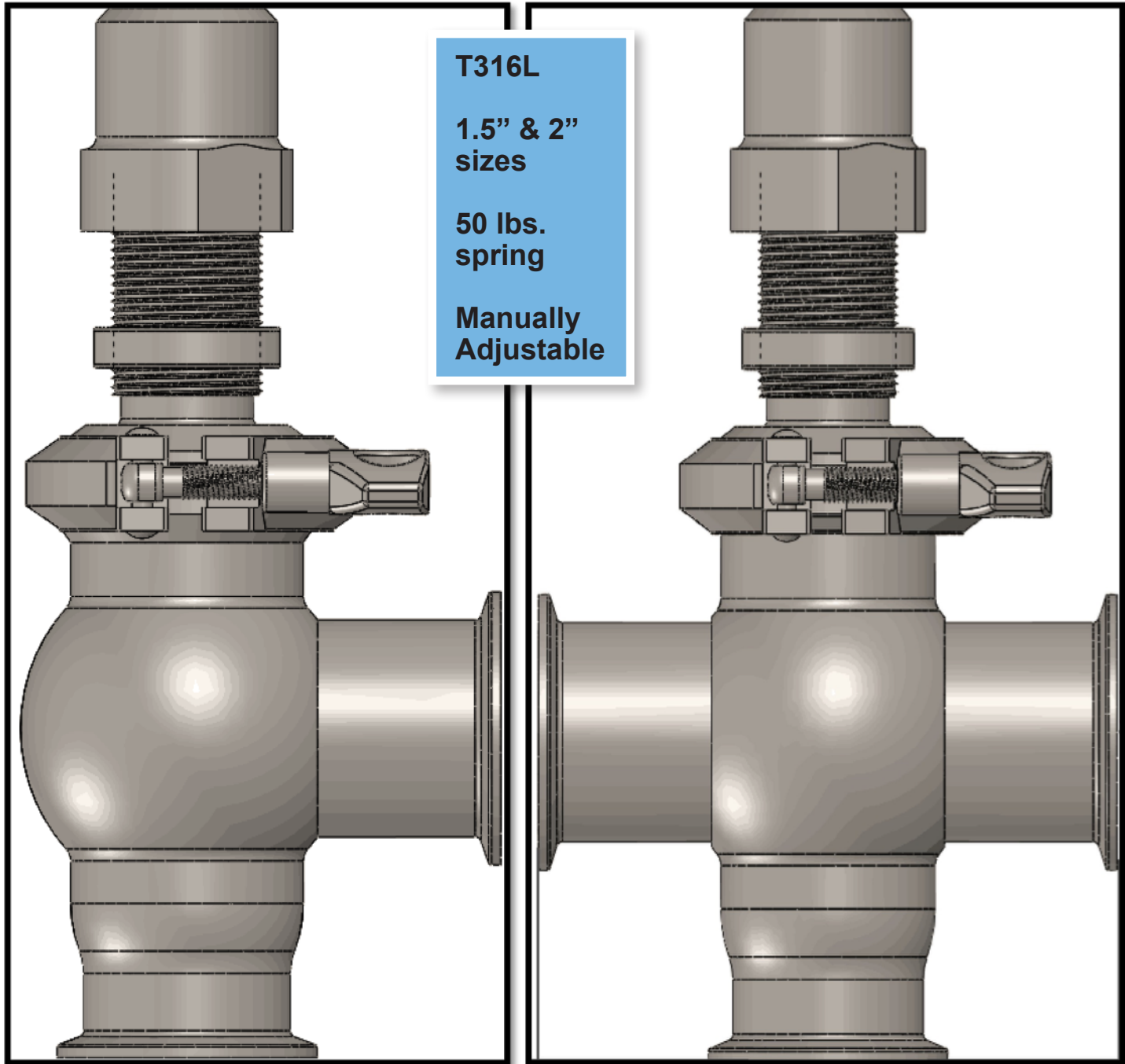


Clamp "L" or "T" Pressure Relief Valve



Lockable Cap for setting the relief pressure

PTFE O-Ring & Seat

Polish to 32 Ra finish

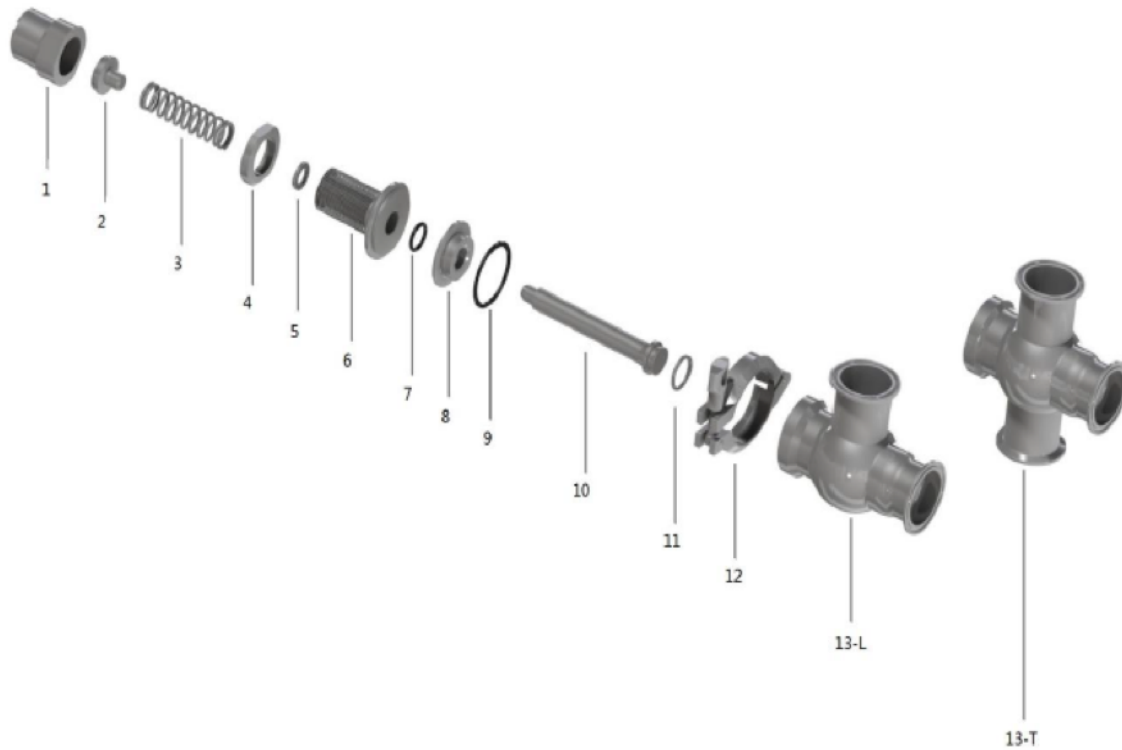
www.sanitarysolutions.com

Sanitary Solutions Inc. 1-888-909-3569 or 1-855-640-7871

Prices are subject to change without notice; please call before you quote

Clamp "L" or "T" Pressure Relief Valve Materials

Pressure Relief Valve Bill of Materials



Item	Description	Material	Quantity
1	Adjust Cap	304	1
2	Top Cap	304	1
3	Spring	304	1
4	Adjust Nut	304	1
5	Washer	304	1
6	Cylinder	304	1
7	Stem Holder O-Ring	EPDM	1
8	Stem Holder	316L	1
9	Seal	EPDM	1
10	Stem	316L	1
11	Stem O-Ring	PTFE	1
12	Clamp	304	1
13-L	Main Body (L-Type)	316L	1
13-T	Main Body (T-Type)	316L	1

Clamp "L" Pressure Relief Valve Part Number:
SSPRVL-SIZE-316L

www.sanitarysolutions.com

Sanitary Solutions Inc. 1-888-909-3569 or 1-855-640-7871

Prices are subject to change without notice; please call before you quote